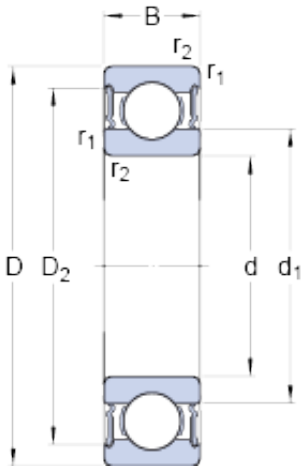




## BEARING OF AMERICA CORP.



61818-2RS1 Bearing 2D drawings and 3D CAD models

### Rodamientos SKF 61818-2RS1 Deep Groove Ball Bearing SKF 61916 2RS 6016 2RS 6216 2RS

Bearing No. 61818-2RS1

Size	115x90x13 mm
Bore Diameter	115 mm
Outer Diameter	90 mm
Width	13 mm
d	90 mm
D	115 mm
B	13 mm
d <sub>1</sub>	98.3 mm
D <sub>2</sub>	109.5 mm
r <sub>1,2</sub> - min.	1 mm
d <sub>a</sub> - min.	94.6 mm
d <sub>a</sub> - max.	98.1 mm
D <sub>a</sub> - max.	110 mm
r <sub>a</sub> - max.	1 mm
Basic dynamic load rating - C	19.5 kN
Basic static load rating - C <sub>0</sub>	17 kN
Fatigue load limit - P <sub>u</sub>	0.915 kN
Limiting speed	3200 r/min
Calculation factor - k <sub>r</sub>	0.015
Calculation factor - f <sub>0</sub>	13.4
Category	Single Row Ball Bearings
Inventory	0.0
Manufacturer Name	SKF
Minimum Buy Quantity	N/A



## BEARING OF AMERICA CORP.

Weight / Kilogram	0.303
EAN	7316576639388
Product Group	B00308
Enclosure	2 Seals
Precision Class	ABEC 1   ISO P0
Maximum Capacity / Filling Slot	No
Rolling Element	Ball Bearing
Snap Ring	No
Internal Special Features	No
Cage Material	Steel
Enclosure Type	Contact Seal
Internal Clearance	C0-Medium
Inch - Metric	Metric
Long Description	90MM Bore; 115MM Outside Diameter; 13MM Outer Race Diameter; 2 Seals; Ball Bearing; ABEC 1   ISO P0; No Filling Slot; No Snap Ring; No Internal Special Features
Category	Single Row Ball Bearing
UNSPSC	31171504
Harmonized Tariff Code	8482.10.50.68
Noun	Bearing
Keyword String	Ball
Manufacturer URL	<a href="http://www.skf.com">http://www.skf.com</a>
Manufacturer Item Number	61818 2RS1
Weight / LBS	0.67
Outside Diameter	4.528 Inch   115 Millimeter
Bore	3.543 Inch   90 Millimeter
Outer Race Width	0.512 Inch   13 Millimeter
bore diameter:	90 mm
static load capacity:	22 kN



## BEARING OF AMERICA CORP.

outside diameter:	115 mm
precision rating:	Not Rated
overall width:	13 mm
finish/coating:	Uncoated
bore type:	Round
cage material:	Steel
closure type:	Double Sealed
outer ring width:	13 mm
row type & fill slot:	Single Row Non-Fill Slot
fillet radius:	1 mm
internal clearance:	C0
maximum rpm:	3200 RPM
operating temperature range:	-40 to +210 ° F
series:	61
dynamic load capacity:	19.5 kN
$d_1$	98.3 mm
$D_2$	109.5 mm
$r_{1,2}$ min.	1 mm
$d_a$ min.	94.6 mm
$d_a$ max.	98.1 mm
$D_a$ max.	110 mm
$r_a$ max.	1 mm
Basic dynamic load rating C	19.5 kN
Basic static load rating $C_0$	17 kN
Fatigue load limit $P_u$	0.915 kN
Calculation factor $k_r$	0.015
Calculation factor $f_0$	13.4
Mass bearing	0.29 kg